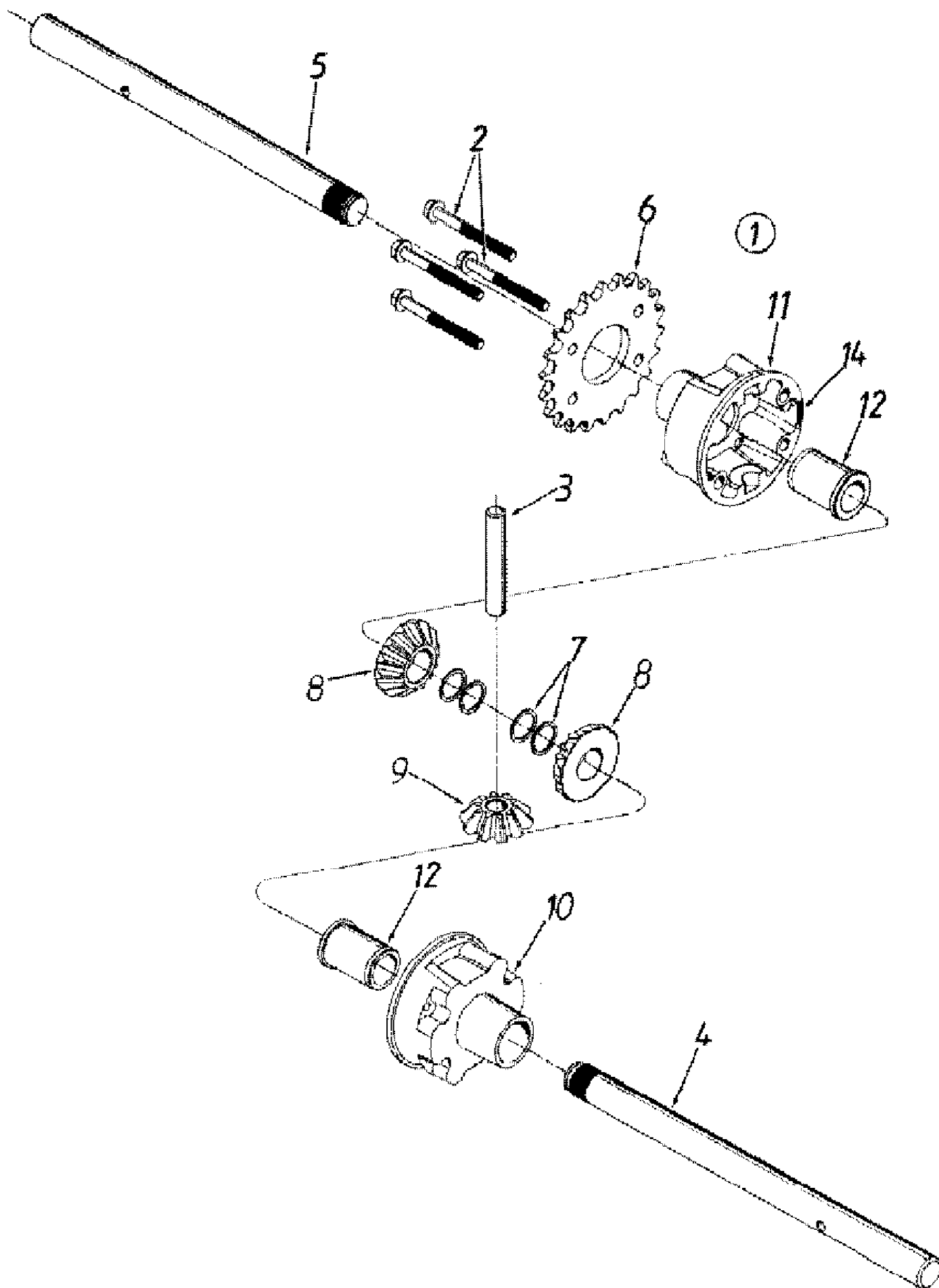


247-315C190 Yard Boss 950 (1997)
Chute Ass'y

Page 2 of 22

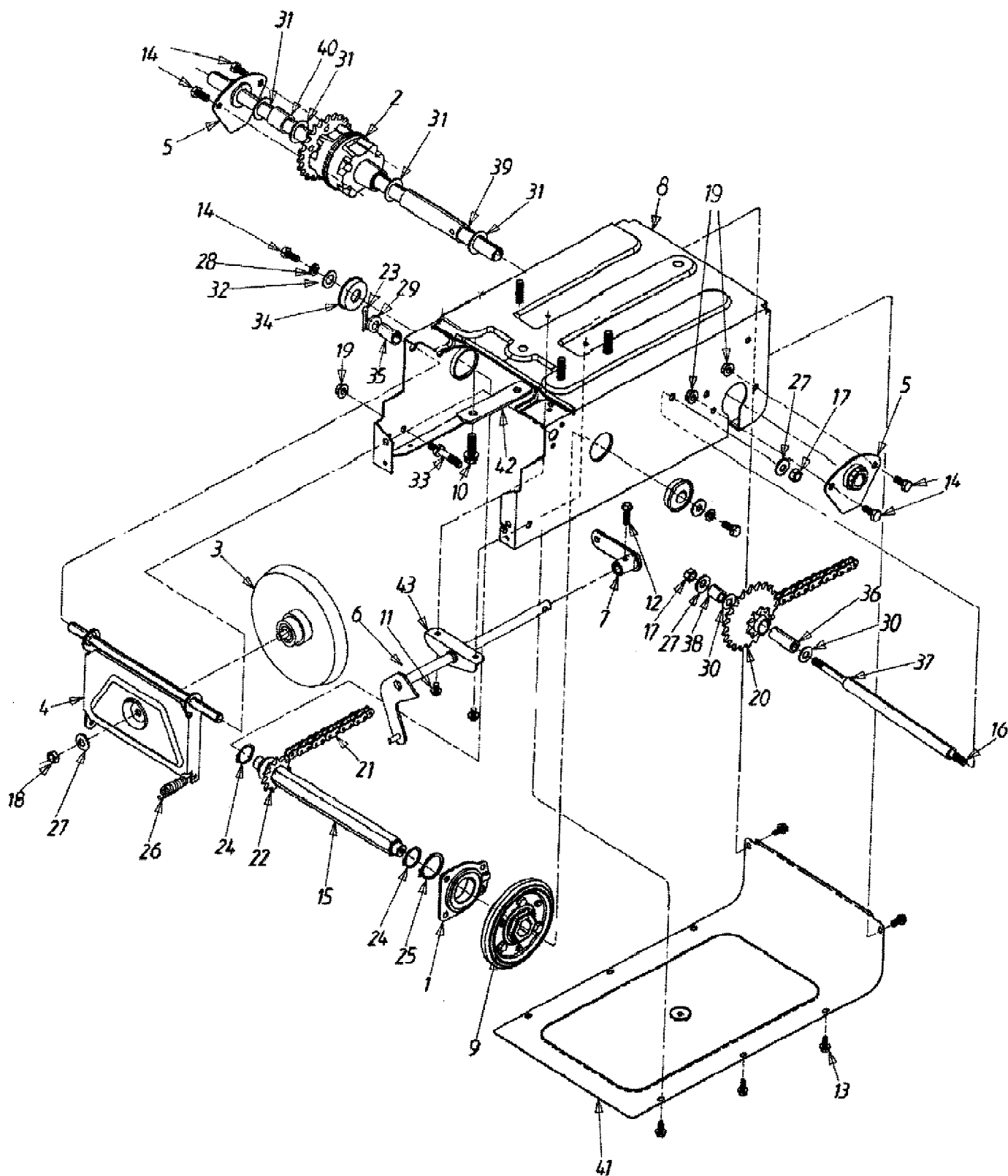
Ref #	Part Number	Qty	S/P/F	Description
1	681-0068	1	S	CHUTE ASSEMBLY
2	710-0258	5	S	SCREW HEX
3	712-3027	5	S	NUT-LOCK
4	731-1574	1	S	CHUTE-CHIPPER UPPER
5	736-0173	5	/P	FL-WASH. .28" I.D. x .73" O.D.
6	781-0625	1		BRACKET SUPPORT
7	735-0249	1	S	FLAP
8	781-0633	1		STRIP-FLAP
9	728-0175	3		RIVET
	731-1617	1	/P	TAMPER PLUG (Not shown - Optional)



247-315C190 Yard Boss 950 (1997)
Differential Ass'y

Page 4 of 22

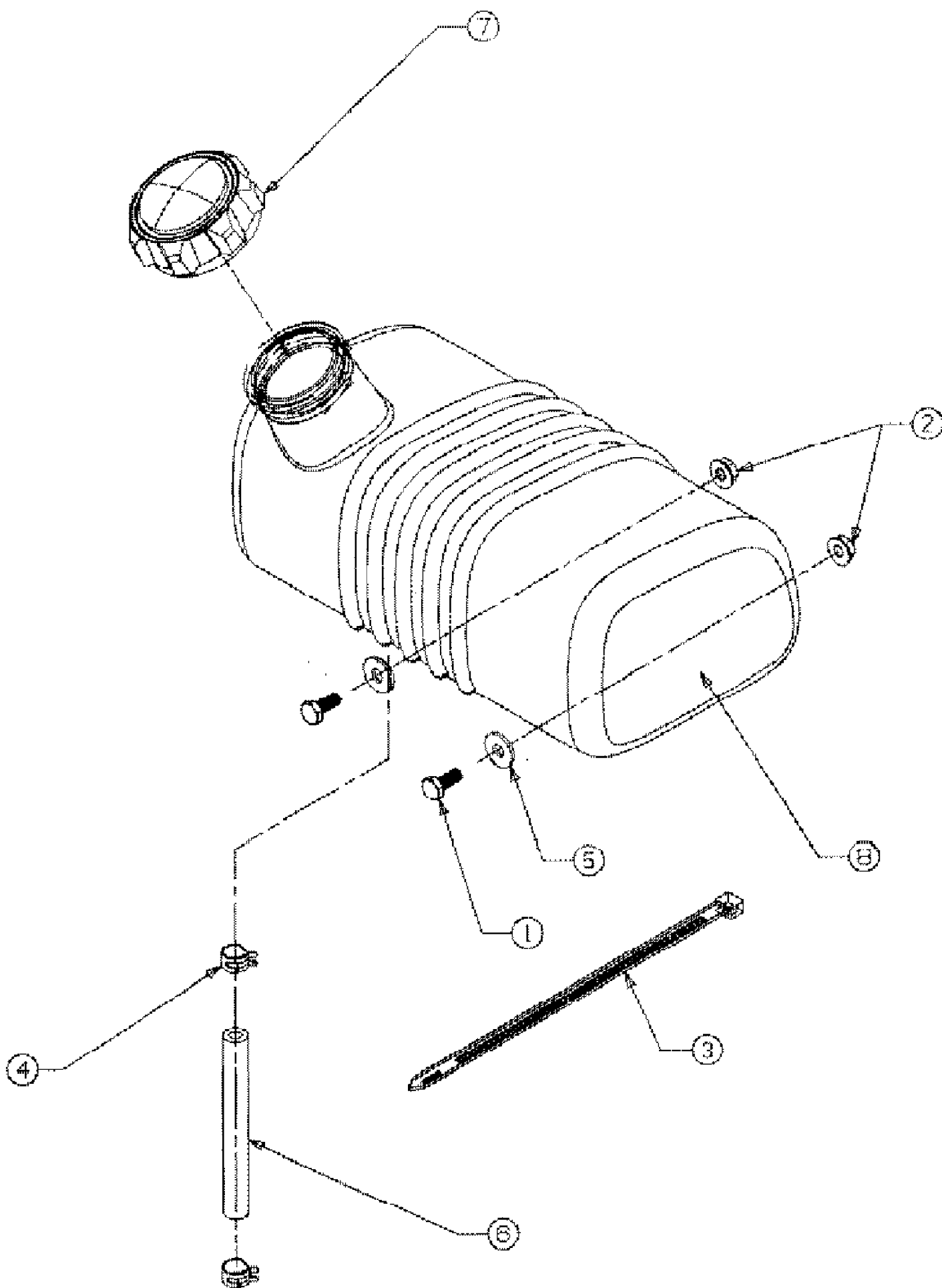
Ref #	Part Number	Qty	S/P/F	Description
1	618-0168	1		DIFFERENTIAL ASSY COMPLETE
2	710-1206	4	/P	SCREW-HEX
3	711-1035	1		SHAFT-CROSS
4	711-1037	1		AXLE-SHAFT 10.95" LONG
5	711-1038	1		AXLE-SHAFT 9.82" LONG
6	713-0445	1		SPROCKET 22 T
7	716-0232	4		RING-RETAINING (2 PER AXLE)
8	717-1358	2		GEAR-DIFFERENTIAL 14T
9	717-1437	2		GEAR-DIFFERENTIAL 10T
10	719-0333	1		HOUSING-DIFFERENTIAL RH
11	719-0334	1		HOUSING-DIFFERENTIAL LH
12	748-0383	2	S	BEARING-FLANGE
?13	737-0300	1	S	GREASE 1 OZ
14		1		SEALANT-LOCTITE 5699



247-315C190 Yard Boss 950 (1997)
Frame Ass'y And Differential Ass'y

Page 6 of 22

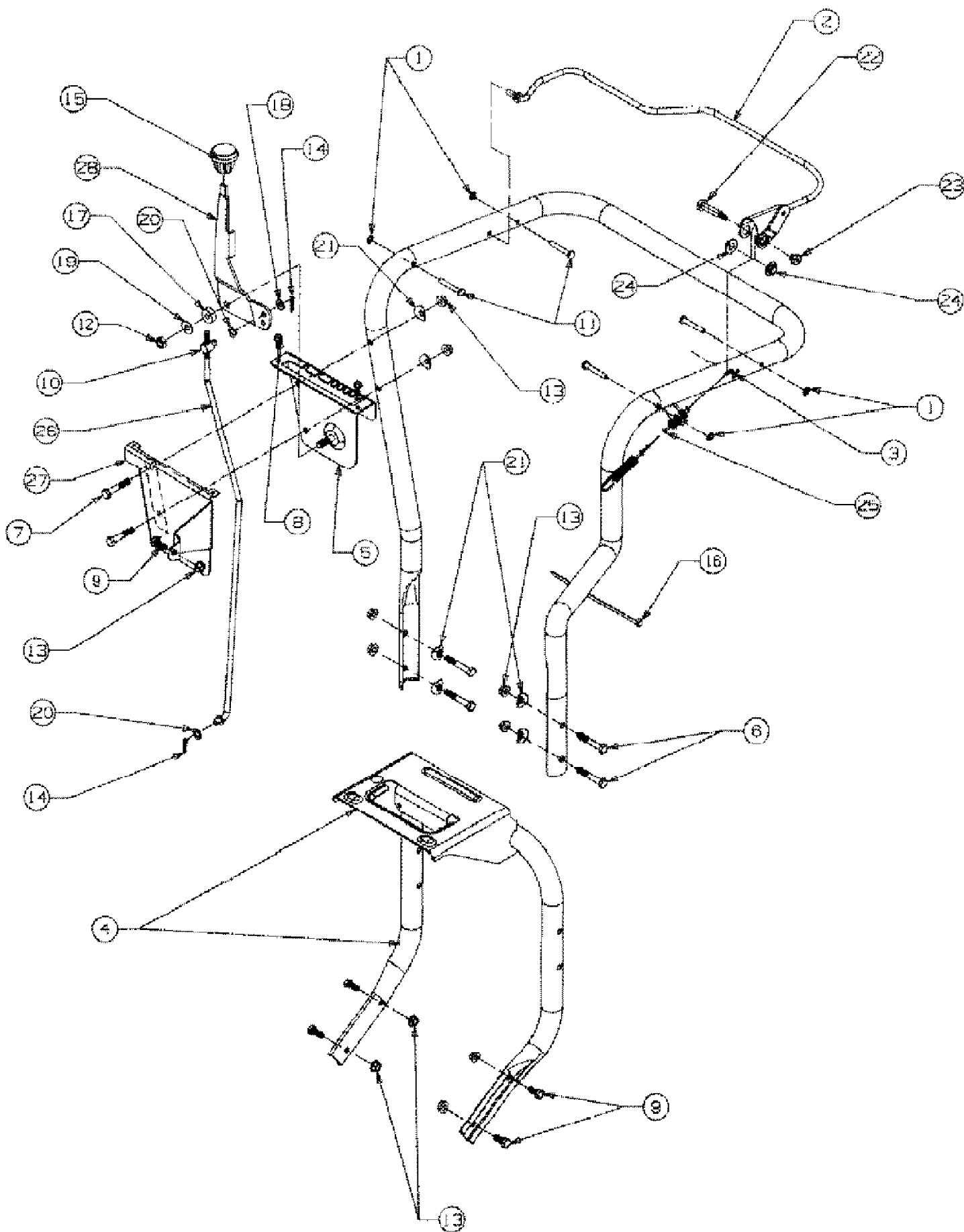
Ref #	Part Number	Qty	S/P/F	Description
1	618-0063	1		BEARING ASSY-FRICTION WHEEL
2	618-0168	1		DIFFERENTIAL ASSY COMP.
3	656-0009	1	S	DISC-FRICTION WHEEL ASSY COMP.
	756-0648A	1	S	DISC-FRICTION WHEEL
	738-0865	1		BOLT-SHOULDER
	741-0600	1	S	BEARING-BALL
4	681-0055	1	S	BRACKET ASSY-SUPPORT
5	681-0058	2	/P	BRACKET ASSY-AXLE
6	681-0069	1		SHAFT ASSY-SHIFT
7	681-0072	1		ARM ASSY-SHIFT
8	681-0073	1		FRAME ASSY
9	684-0042	1	S	WHEEL ASSY-FRICTION
10	710-0502A	4	/P	SCREW-HEX SELF-TAP
11	710-0653	2	/P	SCREW-HEX WASHER
12	710-0788	1	/P	SCREW-HEX WASHER
13	710-0896	8	/P	SCREW-HEX
14	710-3008	6	/P	SCREW-HEX
15	711-1026	1		SHAFT-HEX
16	711-1028	1		SHAFT-JACK
17	712-0241	2	/P	NUT-HEX
18	712-0711	1	/P	NUT-HEX JAM
19	712-3004A	5	/P	NUT-HEX FLANGE LOCK
20	713-0330	1		SPROCKET & HUB
21	713-0374	1	/P	CHAIN
22	713-0415	1		SPROCKET 11T
23	714-0474	1	S	PIN-COTTER
24	716-0102	2	S	RING-SNAP
25	716-0185	1		RING-SNAP
26	732-0264	1	S	SPRING-EXTENSION
27	736-0105	3	/P	WASHER-BELL
28	736-0119	2	S	WASHER-LOCK
29	736-0160	1	S	WASHER-FLAT
30	736-0267	2	S	WASHER-FLAT
31	736-0287	4	S	WASHER-FLAT
32	736-3089	2	/P	WASHER-FLAT
33	738-0908	1		BOLT-IDLER
34	741-0563	2	S	BEARING-BALL
35	748-0382	1		SPACER
36	750-0351	1		SLEEVE
37	750-0978	1		SPACER
38	750-0979	1		SPACER
39	750-0980	1		SPACER
40	750-0981	1		SPACER
41	781-0612	1		COVER-FRAME
42	781-0638	2	S	PLATE-REINFORCEMENT
43	784-5590	1		BRACKET-SHIFT
	788-0637	1		COLOR CODE: BLACK
	788-0662	1		COLOR CODE: OYSTER GRAY



247-315C190 Yard Boss 950 (1997)
Fuel Tank

Page 8 of 22

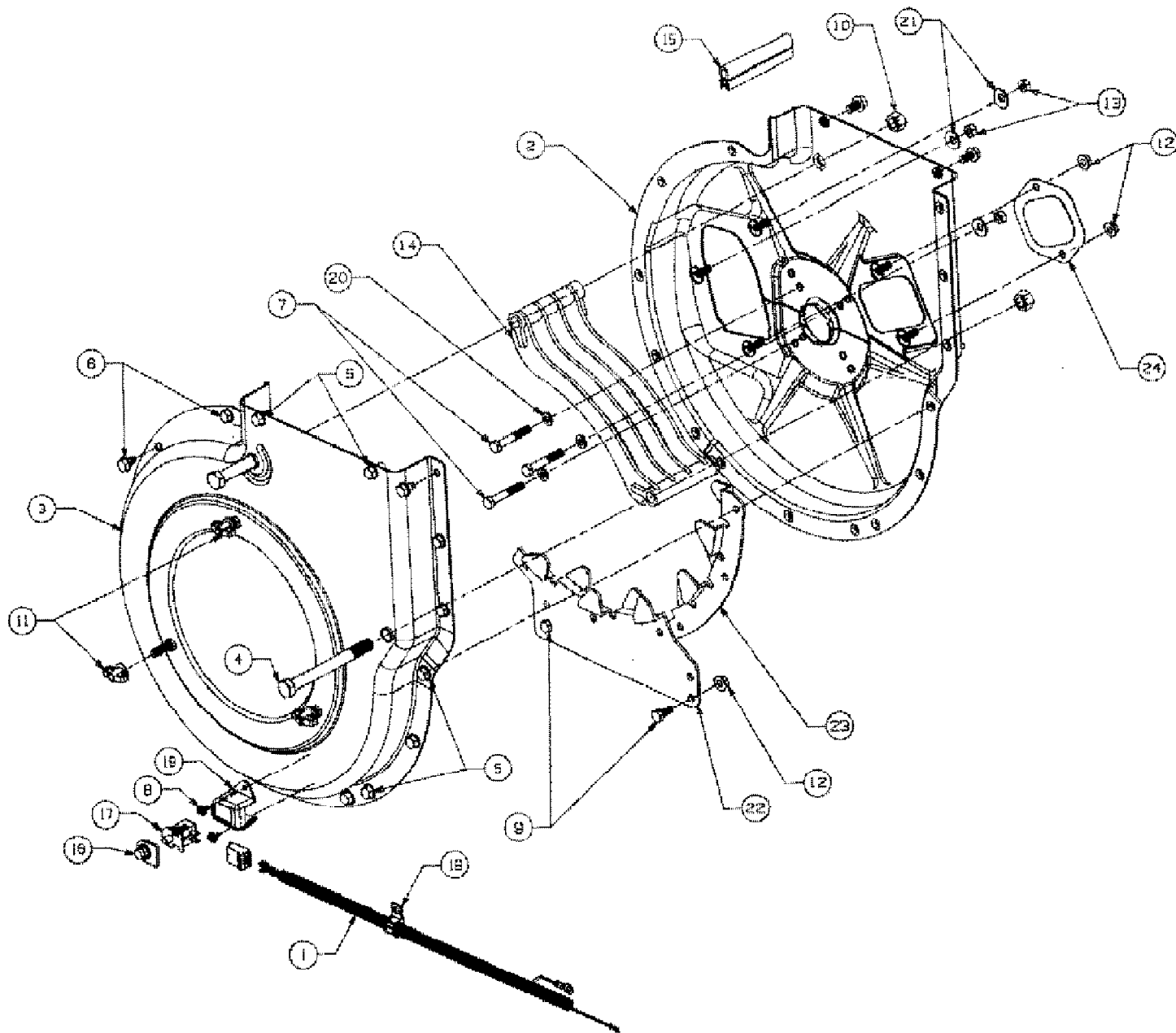
Ref #	Part Number	Qty	S/P/F	Description
1	710-0258	2	S	SCREW-HEX
2	712-3027	2	S	NUT-HEX LOCK FLANGE
3	726-0209	1	/P	CABLE TIE
4	726-0205	2	/P	CLAMP-HOSE
5	736-0173	2	/P	WASHER-FLAT
6	751-0535-12	1	S	HOSE-FUEL LINE 12"
7	751-0603	1	S	CAP-FUEL
8	751-0610	1		TANK-FUEL 1 GALLON



247-315C190 Yard Boss 950 (1997)
Handle Ass'y And Control Ass'y

Page 10 of 22

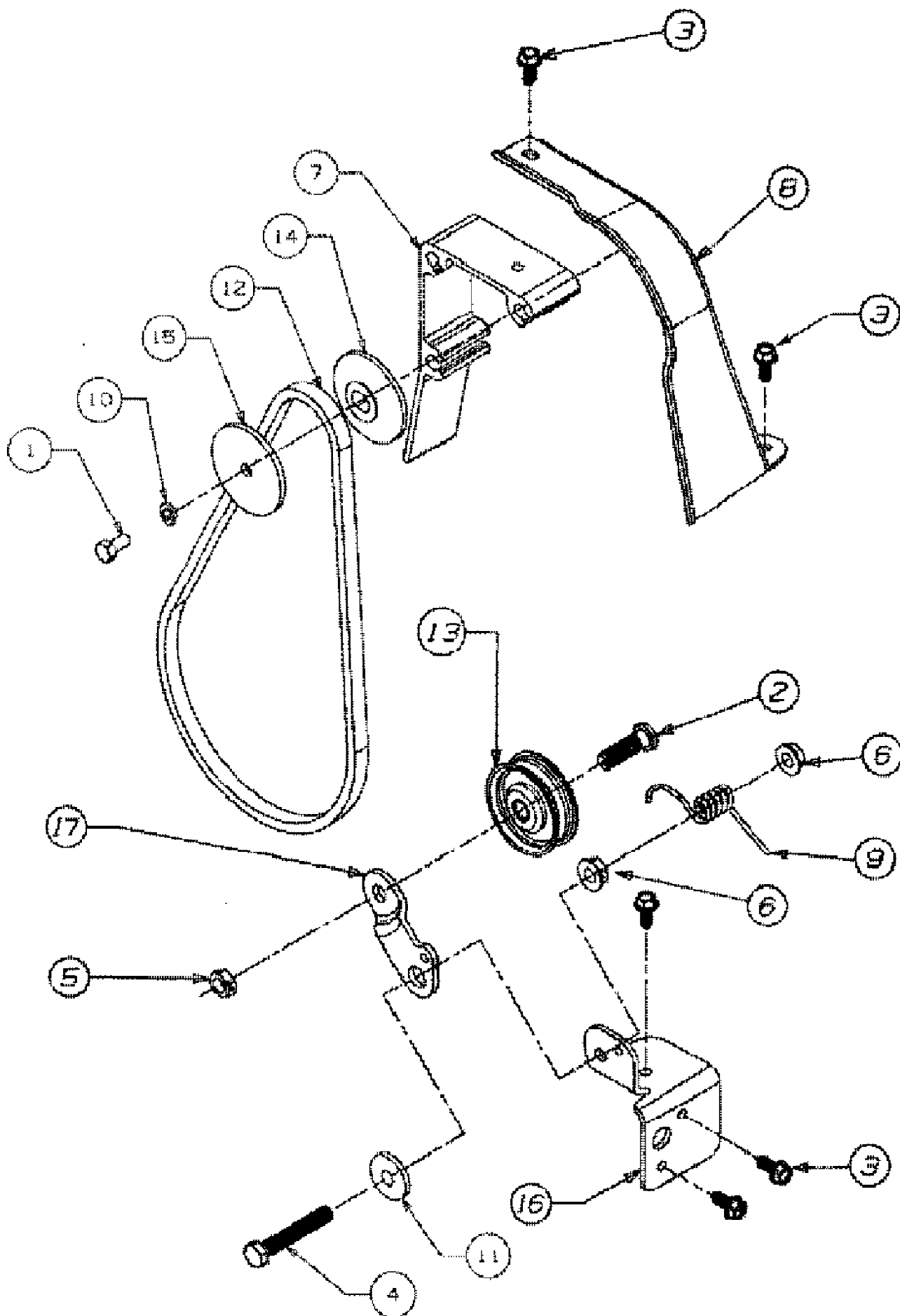
Ref #	Part Number	Qty	S/P/F	Description
1	1539-019	4		PUSH NUT
2	647-0019	1		CONTROL ASSY
3	649-0008	1		HANDLE ASSY-UPPER
4	649-0012	1		HANDLE ASSY-LOWER
5	681-0076	1		BRACKET ASSY-SHIFT
6	710-0116	4	S	SCREW-HEX
7	710-0380	2	S	SCREW-HEX
8	710-0896	2	/P	SCREW-HEX
9	710-3008	5	/P	SCREW-HEX
10	711-0677	1	S	FERRULE
11	711-0737	4	S	PIN-STUD
12	712-0116	1	S	NUT-HEX LOCK
13	712-3004A	11	/P	NUT-HEX LOCK
14	714-0104	2	S	PIN-COTTER
15	720-0232	1	S	KNOB-SHIFT
16	725-0157	1	/P	CABLE TIE
17	735-0126	1	S	WASHER-RUBBER
18	736-0117	1	S	WASHER-FLAT
19	736-0300	1	S	WASHER-FLAT
20	736-0413	2	/P	WASHER-SPRING
21	736-0451	6	S	WASHER-SADDLE
22	738-0560	1	S	SCREW-SHOULDER
23	738-0561	1	S	NUT-SHOULDER
24	741-0402	2	S	BEARING-FLANGE PLASTIC
25	746-0921	1	S	CABLE-CLUTCH
26	747-0626	1		ROD-SHIFT
27	781-0626	1		COVER-SHIFT
28	784-0297A	1	/P	HANDLE-SHIFT



247-315C190 Yard Boss 950 (1997)
Housing Ass'y

Page 12 of 22

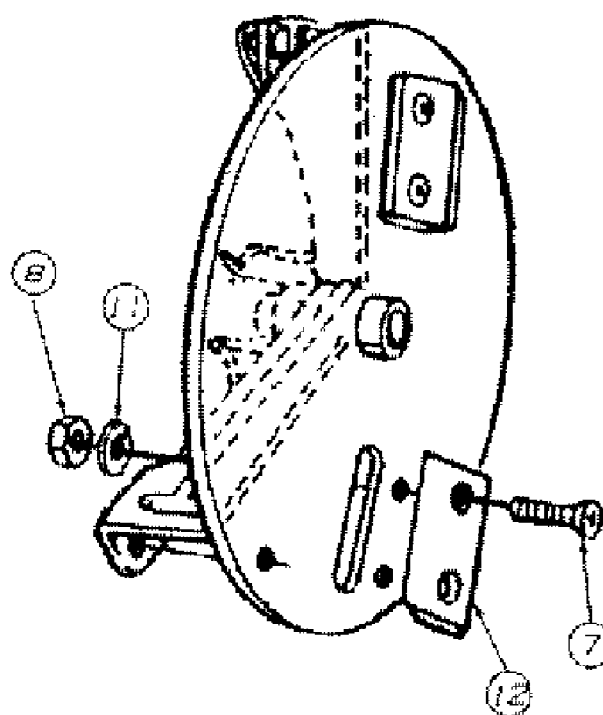
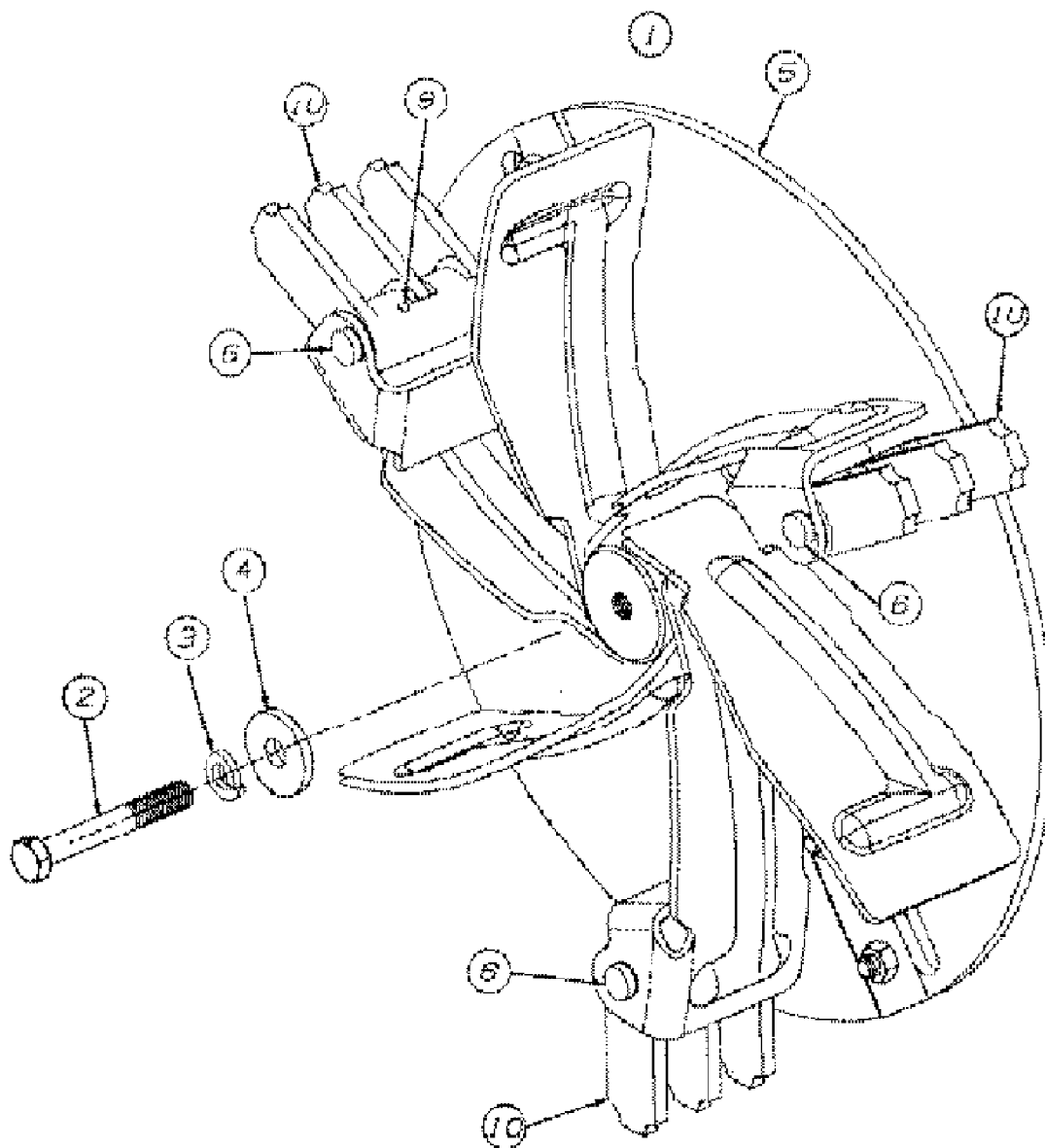
Ref #	Part Number	Qty	S/P/F	Description
1	629-0241	1		HARNESS-CHIPPER VAC
2	681-0059	1		HOUSING ASSY-INNER
3	681-0060	1	/P	HOUSING ASSY-OUTER
4	710-0382	2		SCREW-HEX
5	710-0604	10	S	SCREW-HEX SELF TAP
6	710-0607	8	/P	SCREW-HEX SELF TAP
7	710-0772	3	/P	SCREW-HEX
8	710-1268	2	/P	SCREW-HEX SELF TAP
9	710-3008	2	/P	SCREW-HEX
10	712-0384	2	S	NUT-HEX LOCK
11	712-0421	3		KNOB
12	712-3004A	4	/P	NUT-HEX LOCK
13	712-3010	3	S	NUT-HEX (GR 5)
14	719-0326	1		SCREEN
15	723-0438	2		SEAL-RUBBER
16	725-1700	1	S	COVER-SWITCH
17	725-3166	1	S	SWITCH
18	726-0272	1	/P	CLAMP
19	731-1613	1	S	COVER SWITCH
20	736-0119	3	S	WASHER-LOCK
21	736-0242	3	/P	WASHER-BELL
22	781-0598	1	S	BLADE-FLAIL HOUSING
23	781-0599	1	S	BLADE-FLAIL HOUSING
24	781-0627	1		COVER-CHIPPER



247-315C190 Yard Boss 950 (1997)
 Idler Bracket, V-Belt And Belt Cover

Page 14 of 22

Ref #	Part Number	Qty	S/P/F	Description
1	710-0230	1	/P	SCREW-HEX
2	710-0723	1	/P	SCREW-HEX
3	710-0896	5	/P	SCREW-HEX
4	748-0234	1	/P	NUT-HEX SHOULDER
5	712-0266	1	S	NUT-HEX LOCK
6	712-3004A	1	/P	NUT-HEX LOCK FLANGE
7	719-0330	1	S	ADAPTER-MOUNTING
8	731-1584	1	/P	COVER-BELT
9	732-0745	1		SPRING-TORSION
10	736-0329	1	S	WASHER-LOCK
11	716-0646	1		HEX HEAD SCREW
12	754-0256	1	S	V-BELT
13	756-0313	1	/P	IDLER-FLAT
14	756-0986	1		PULLEY HALF
15	756-0987	1	S	PULLEY HALF
16	781-0611	1		BRACKET-IDLER PIVOT
17	781-0614	1		BRACKET-IDLER
	788-0637	1		COLOR CODE: BLACK
	788-0662	1		COLOR CODE: OYSTER GRAY

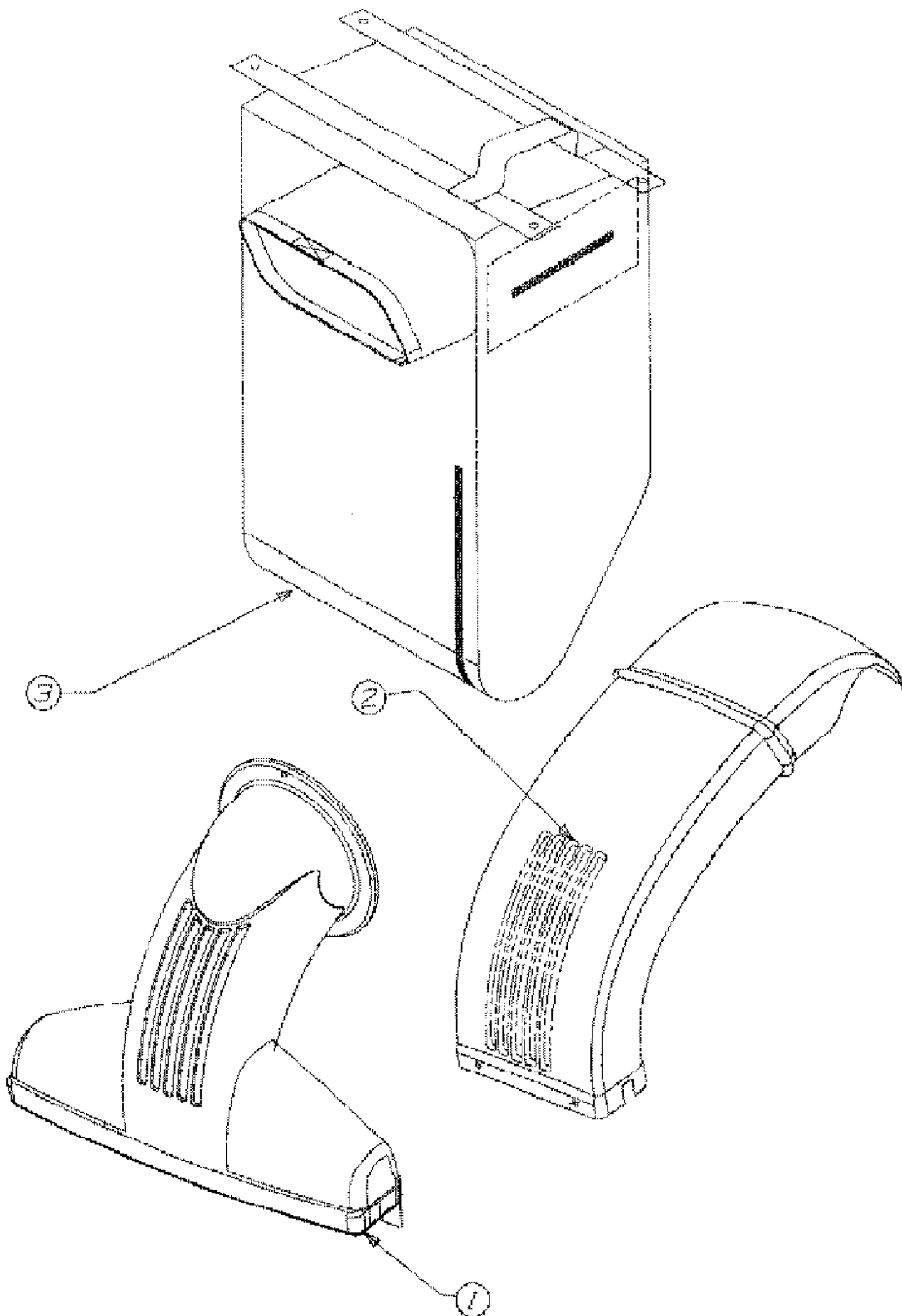


247-315C190 Yard Boss 950 (1997)
Impeller Ass'y

Page 16 of 22

Ref #	Part Number	Qty	S/P/F	Description
1	681-0051	1	S	IMPELLER ASS'Y COMP.
2	710-1273	1		SCREW-HEX
3	736-0217	1	S	WASHER-LOCK
4	736-0247	1	/P	WASHER-FLAT
5	681-0078	1	S	IMPELLER ASSY
6	711-0833B	3	S	PIN-CLEVIS
7	710-1054	4	/P	SCREW-FLAT HEAD
8	712-0411	4	S	NUT-HEX LOCK
9	715-0162	3	S	PIN-ROLL SPRING
10	719-0329	3		BLADE-FLAIL
11	736-0119	4	S	WASHER-LOCK
12	742-0544	4	S	BLADE-CHIPPER
	781-0490	4	S	BLADE-CHIPPER

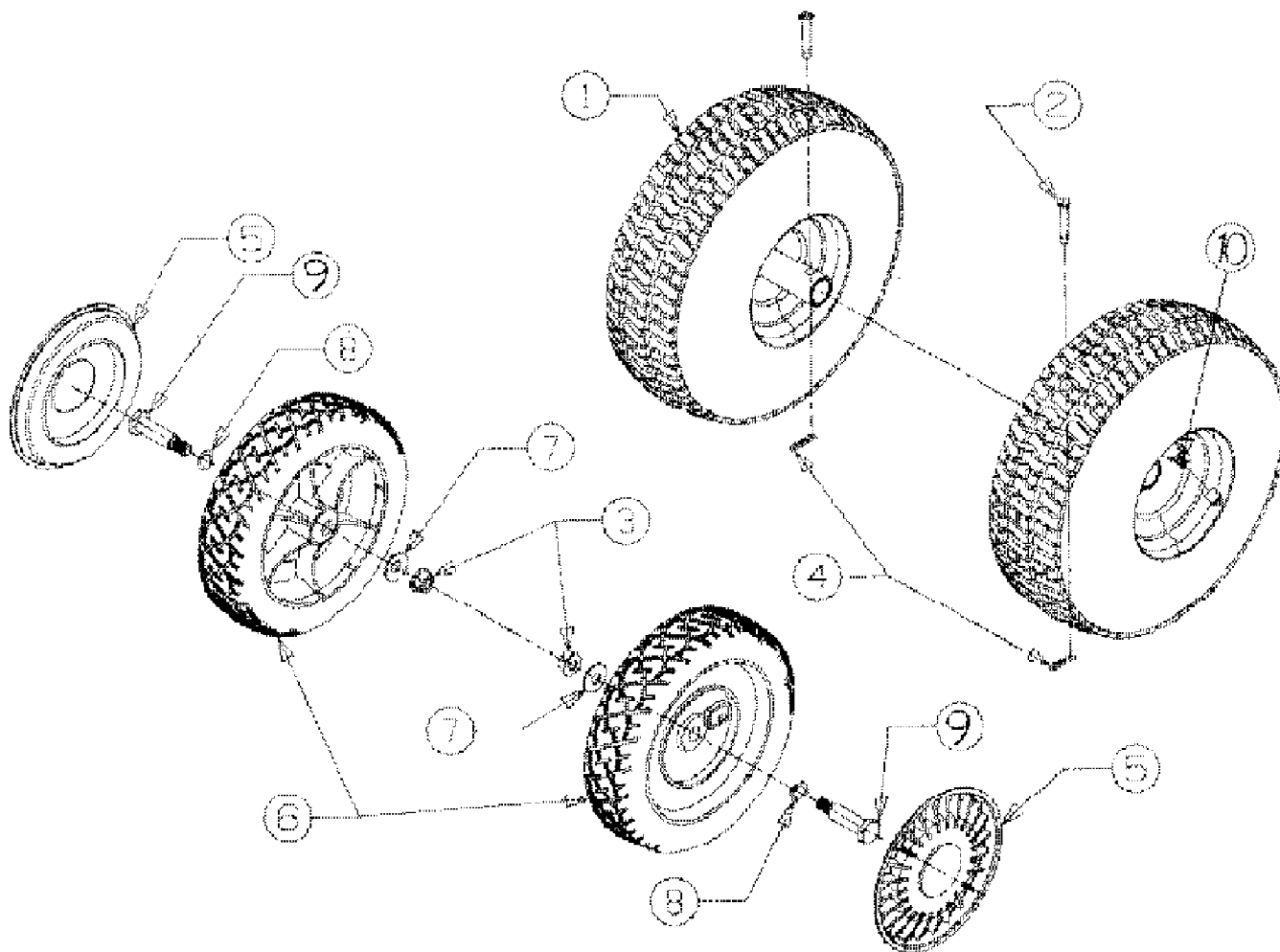
247-315C190 Yard Boss 950 (1997)
Nozzle Ass'y, Discharge Chute And Vacuum Bag



247-315C190 Yard Boss 950 (1997)
Nozzle Ass'y, Discharge Chute And Vacuum Bag

Page 18 of 22

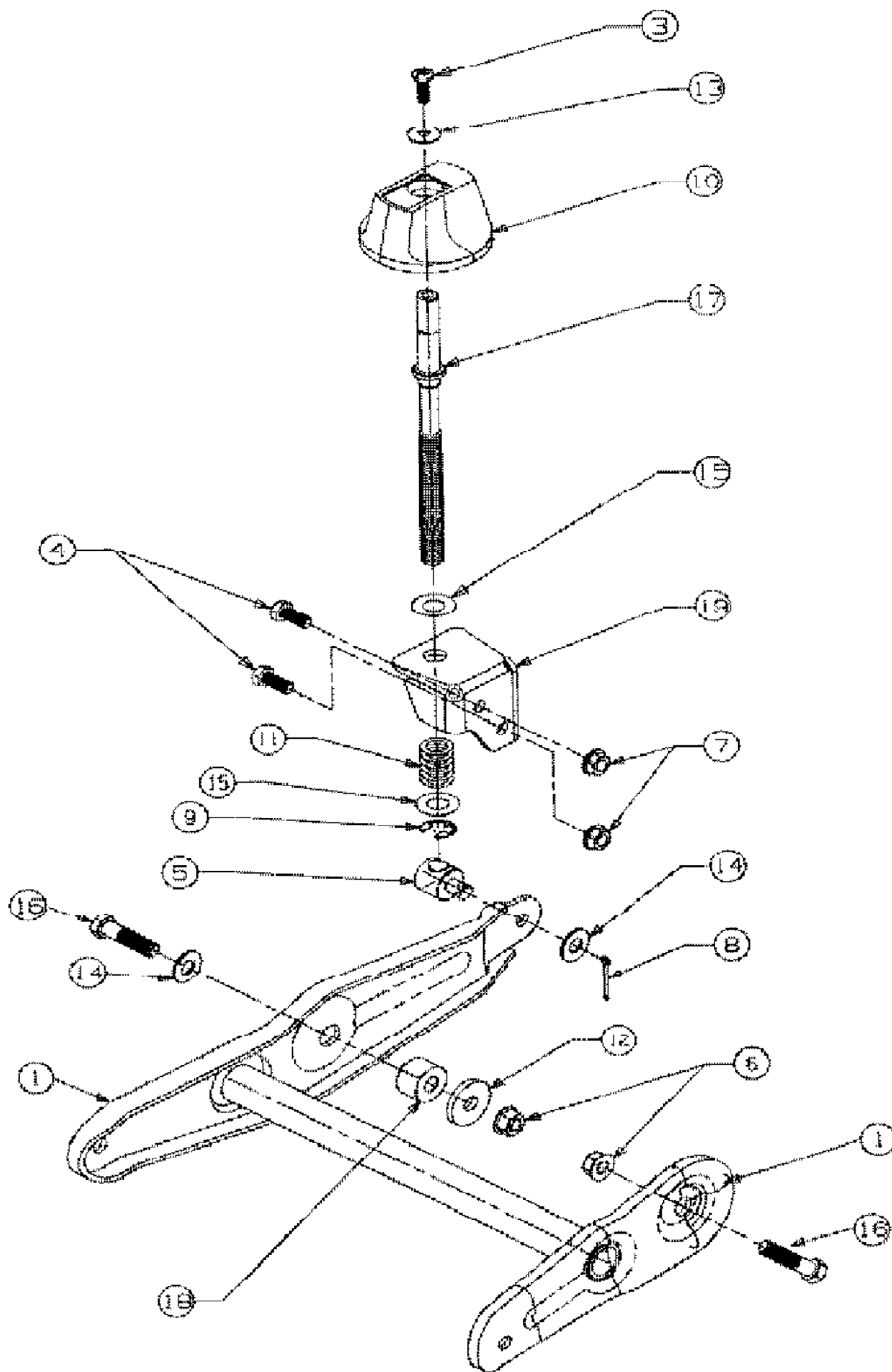
Ref #	Part Number	Qty	S/P/F	Description
1	631-0028	1	S	NOZZLE ASS'Y.-VACUUM
2	731-1573	1		CHUTE-DISCHARGE
3	764-0472	1	S	BAG-VACUUM
	788-0637	1		COLOR CODE: BLACK
	788-0662	1		COLOR CODE: OYSTER GRAY



247-315C190 Yard Boss 950 (1997)
Wheel Ass'y

Page 20 of 22

Ref #	Part Number	Qty	S/P/F	Description
1	634-0118	2		WHEEL ASSY COMPLETE
	634-0101	2	S	RIM ASSY COMPLETE
	734-0210	2	S	TIRE PNEUMATIC
2	711-1017	2	/P	PIN-CLEVIS
3	712-0431	2	S	NUT-HEX FLANGE
4	714-0104	2	S	PIN-COTTER
5	731-0981A	2	S	HUB CAP
	731-0355A	2		HUB CAP
6	734-1268	2	/P	WHEEL
7	736-0105	2	/P	WASHER-BELL
8	736-0232	2	S	WASHER-WAVE
9	738-0213	2	/P	SCREW-SHOULDER
10	734-0255	2	S	VALVE STEM



247-315C190 Yard Boss 950 (1997)
Wheel Pivot Brkt Ass'y

Page 22 of 22

Ref #	Part Number	Qty	S/P/F	Description
1	681-0096	1		BRKT ASSY-WHEEL PIVOT
3	710-0924	1	/P	SCREW-MACHINE PAN HD
4	710-3008	2	/P	SCREW-HEX
5	711-1041	1		FERRULE-ADJUSTABLE
6	712-0431	2	S	NUT-HEX FLANGE LOCK
7	712-3004A	2	/P	NUT-HEX FLANGE
8	714-0115	1	S	PIN-COTTER
9	716-0104	1	S	RING-E
10	720-0236	1	S	KNOB-PLASTIC
11	732-0645	1	S	SPRING-COMPRESSION
12	736-0247	1	/P	WASHER-FLAT
13	736-0270	1	/P	WASHER-BELL
14	736-0300	2	S	WASHER-FLAT
15	736-0369	2	S	WASHER-FLAT
16	738-0955	2		SCREW-SHOULDER
17	747-0631	1		ROD-ADJUSTABLE
18	711-0242	1	S	SPACER
19	781-0605	1	S	BRACKET-HEIGHT ADJ
	788-0637	1		COLOR CODE: BLACK
	788-0662	1		COLOR CODE: OYSTER GRAY